



US00D404642S

United States Patent [19]

[11] Patent Number: **Des. 404,642**

Major

[45] Date of Patent: ****Jan. 26, 1999**

[54] **CONTAINER FOR HOLDING IMPRESSION MATERIAL**

3,530,917 9/1970 Donovan 206/526
4,842,143 6/1989 McKee, Sr. et al. 206/521.1

[76] Inventor: **Miklos Major**, 1959 Watch Hill Rd.,
Ambridge, Pa. 15003

Primary Examiner—Ted Shooman
Assistant Examiner—Nanda Bondade
Attorney, Agent, or Firm—LaMorte & Associates

[**] Term: **14 Years**

[57] CLAIM

[21] Appl. No.: **83,551**

The ornamental design for a container for holding impression material, as shown.

[22] Filed: **Feb. 9, 1998**

DESCRIPTION

[51] **LOC (6) Cl.** **09-03**

[52] **U.S. Cl.** **D9/341**

[58] **Field of Search** D7/357, 503, 505,
D7/611, 672-675; D9/341, 345, 419-421;
206/521, 521.1, 521.15, 521.2, 521.7, 521.8,
461, 526

FIG. 1 is a perspective view of a container for holding impression material in accordance with the present invention;

FIG. 2 is a top view thereof;

FIG. 3 is a front view, thereof;

FIG. 4 is a left side view thereof;

FIG. 5 is a right side view thereof;

FIG. 6 is a rear view thereof;

FIG. 7 is a bottom view thereof; and,

FIG. 8 is a perspective view of the present invention in an open condition.

[56] References Cited

U.S. PATENT DOCUMENTS

- D. 190,396 5/1961 Robinson 206/461 X
- D. 281,398 11/1985 Kesselring D9/341
- D. 320,552 10/1991 Chanel D9/314
- D. 372,840 8/1996 Cousins D9/341 X

1 Claim, 5 Drawing Sheets

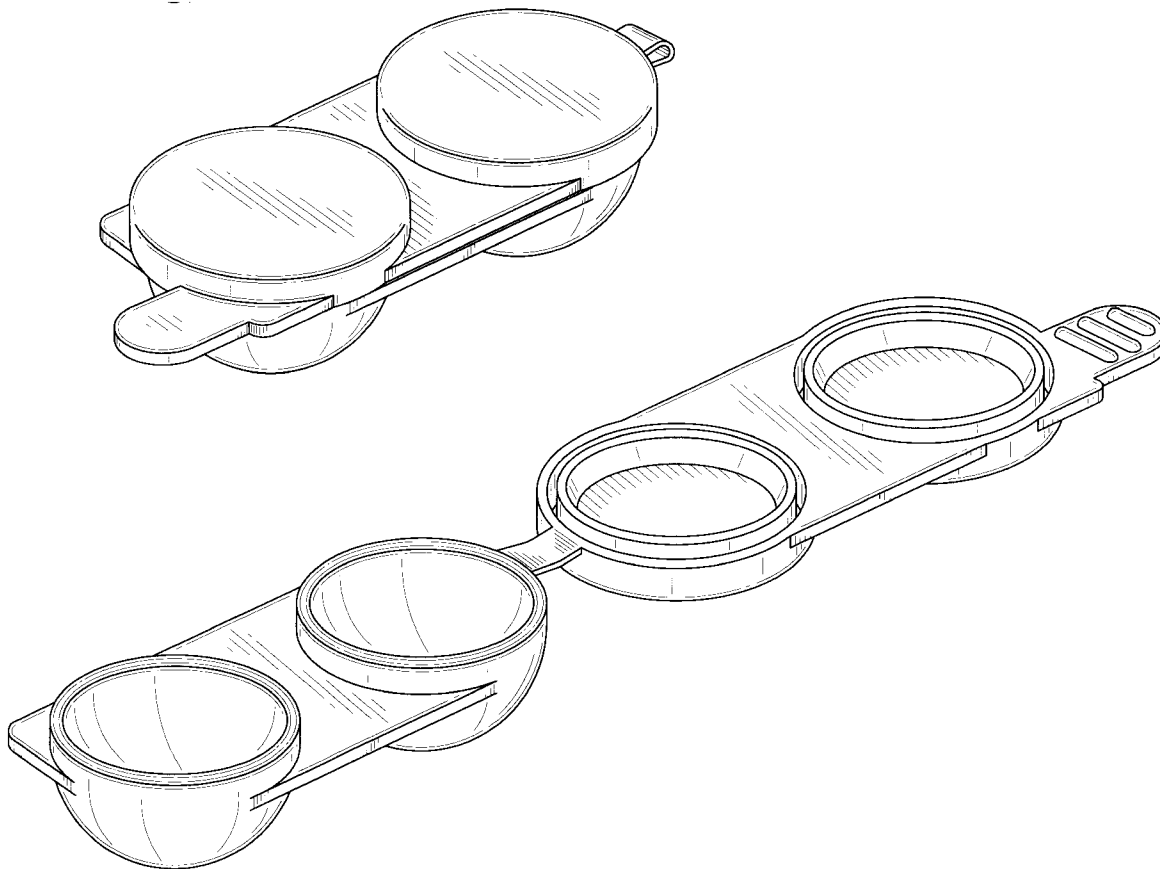


FIG-1

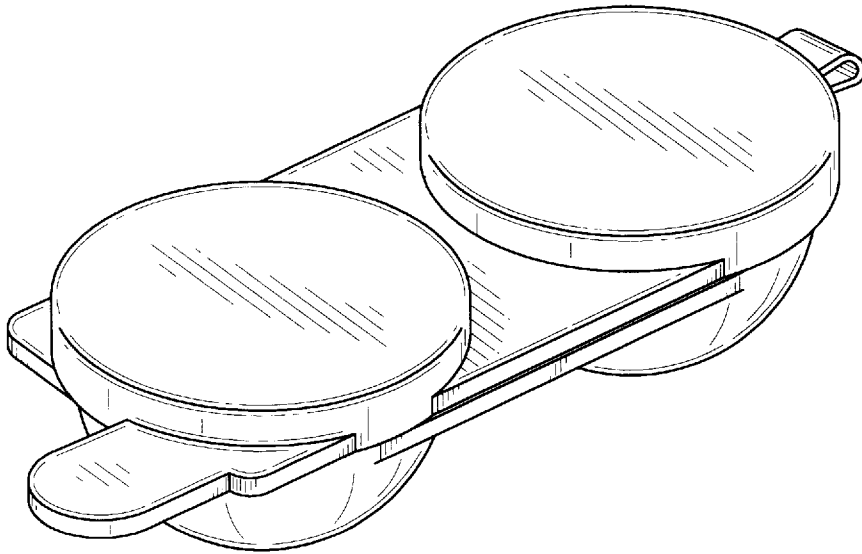


FIG-2

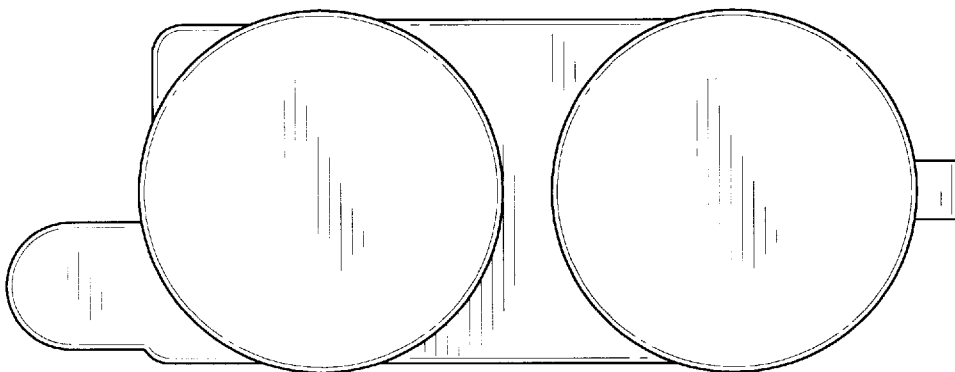


FIG-3

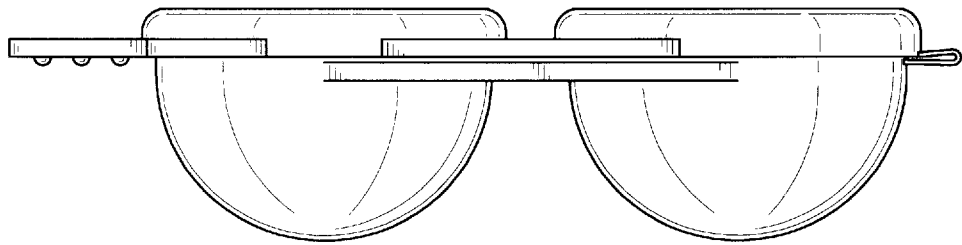


FIG-4

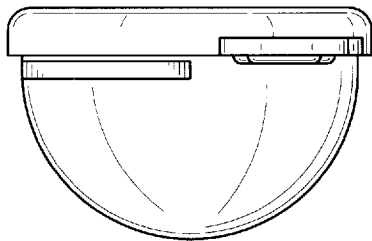


FIG-5

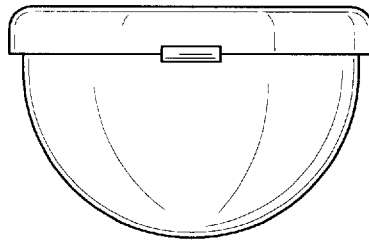


FIG-6

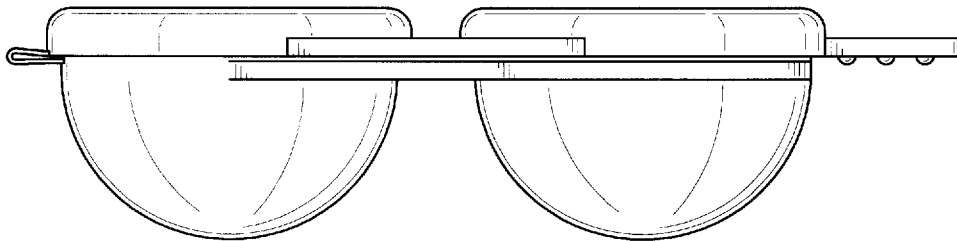
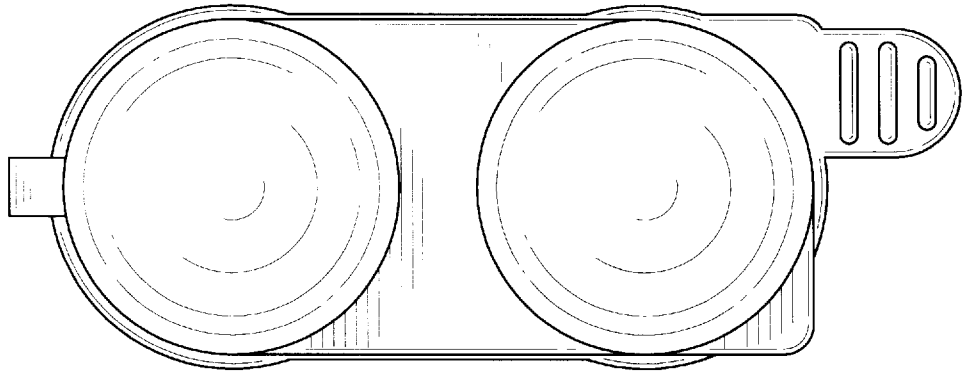


FIG-7



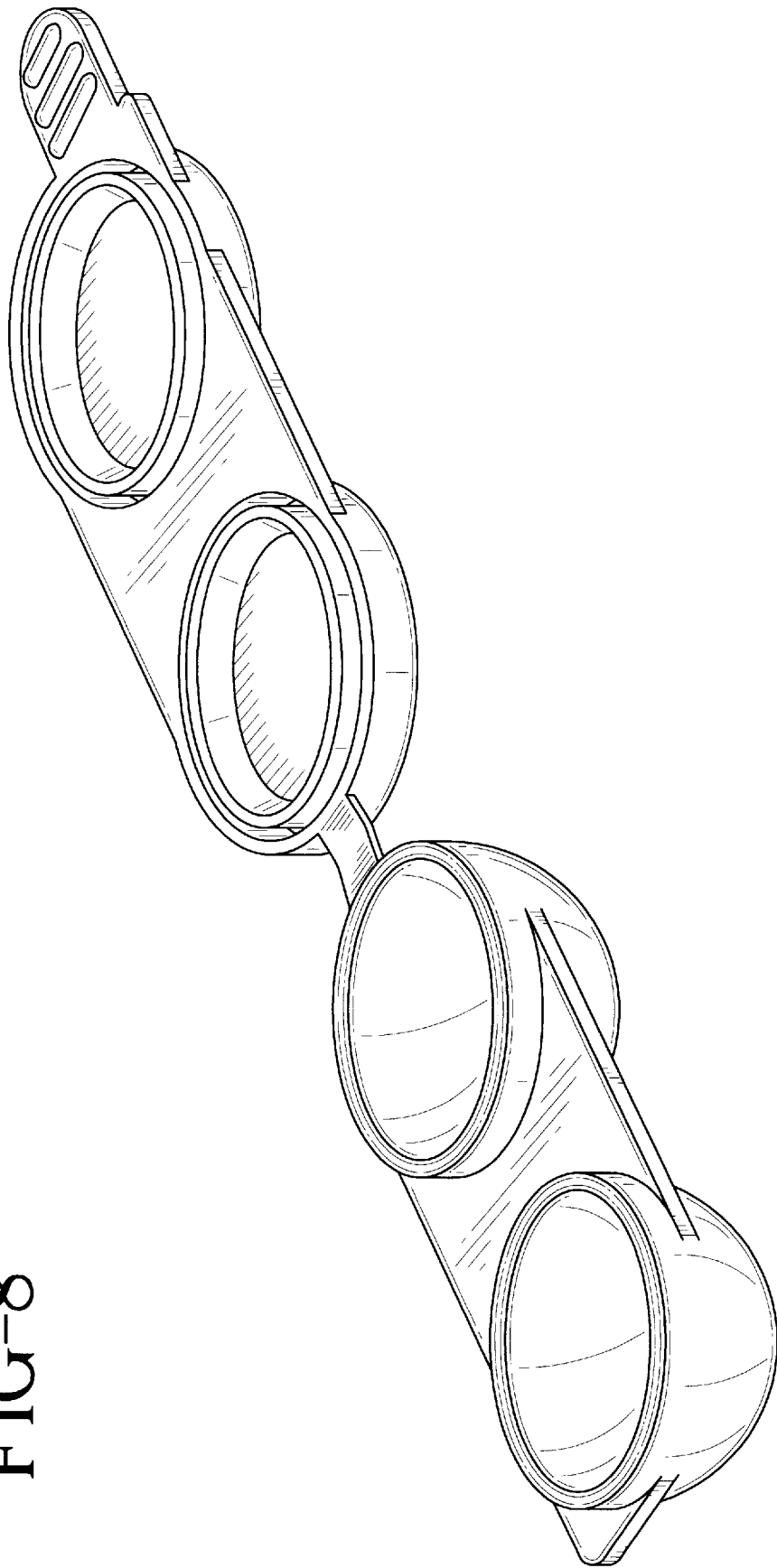


FIG-8