



US00D475429S

(12) **United States Design Patent** (10) **Patent No.:** **US D475,429 S**  
**Liao** (45) **Date of Patent:** **\*\* Jun. 3, 2003**

(54) **ILLUMINATED MOUTHPIECE**  
(76) Inventor: **Chu-Yuan Liao**, 17F, No. 102, Sec.2  
Roosevelt Road, Taipei (TW)  
(\*\*) Term: **14 Years**  
(21) Appl. No.: **29/158,518**  
(22) Filed: **Apr. 5, 2002**  
(51) **LOC (7) Cl.** ..... **21-03**  
(52) **U.S. Cl.** ..... **D21/812**  
(58) **Field of Search** ..... D21/811, 812,  
D21/661; D29/108; 128/136, 137, 861,  
859, 848; 600/9, 15

(56) **References Cited**  
**U.S. PATENT DOCUMENTS**  
4,765,324 A \* 8/1988 Lake, Jr. .... 128/861  
5,692,523 A \* 12/1997 Croll et al. .... 128/859  
6,398,713 B1 \* 6/2002 Ewing et al. .... 600/9

\* cited by examiner

*Primary Examiner*—Mitchell Siegel  
(74) *Attorney, Agent, or Firm*—LaMorte & Associates

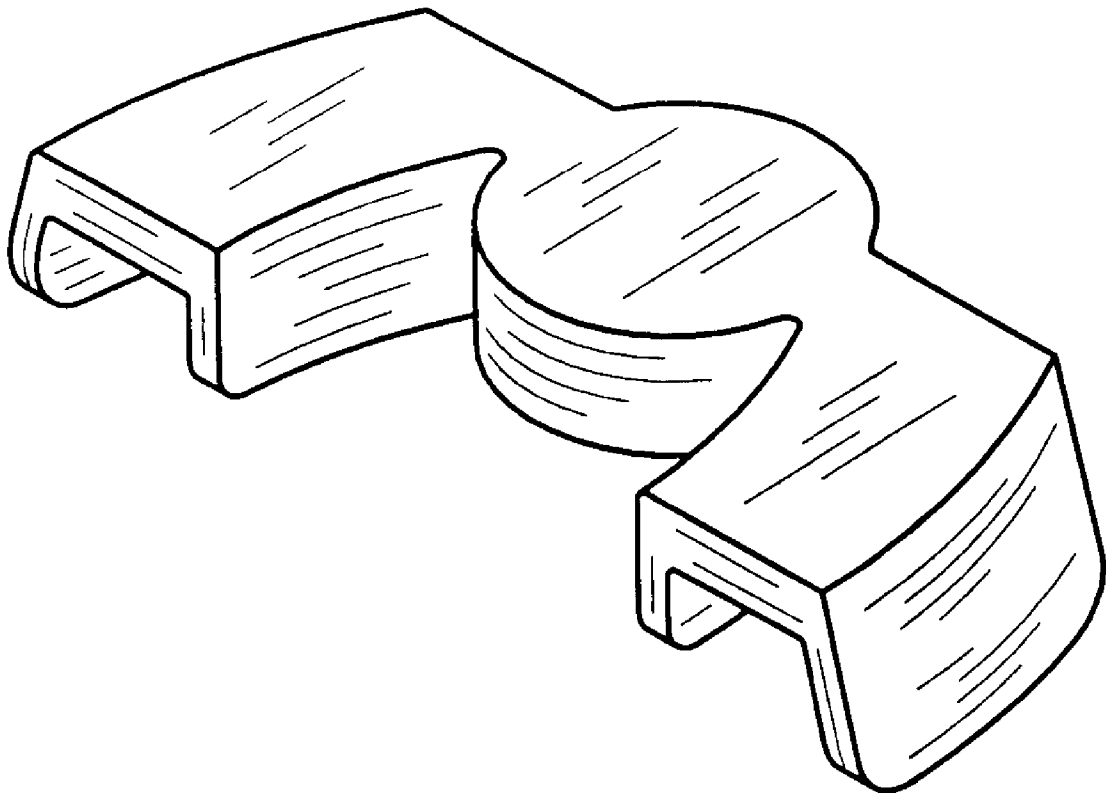
(57) **CLAIM**

The ornamental design for an illuminated mouthpiece, as shown and described.

**DESCRIPTION**

FIG. 1 is a perspective view of an illuminated mouthpiece in accordance with the present invention;  
FIG. 2 is a top view thereof;  
FIG. 3 is a front view thereof;  
FIG. 4 is a bottom view thereof;  
FIG. 5 is a rear view thereof; and,  
FIG. 6 is a left side view thereof where the right side view is a mirror image of FIG. 6.

**1 Claim, 2 Drawing Sheets**



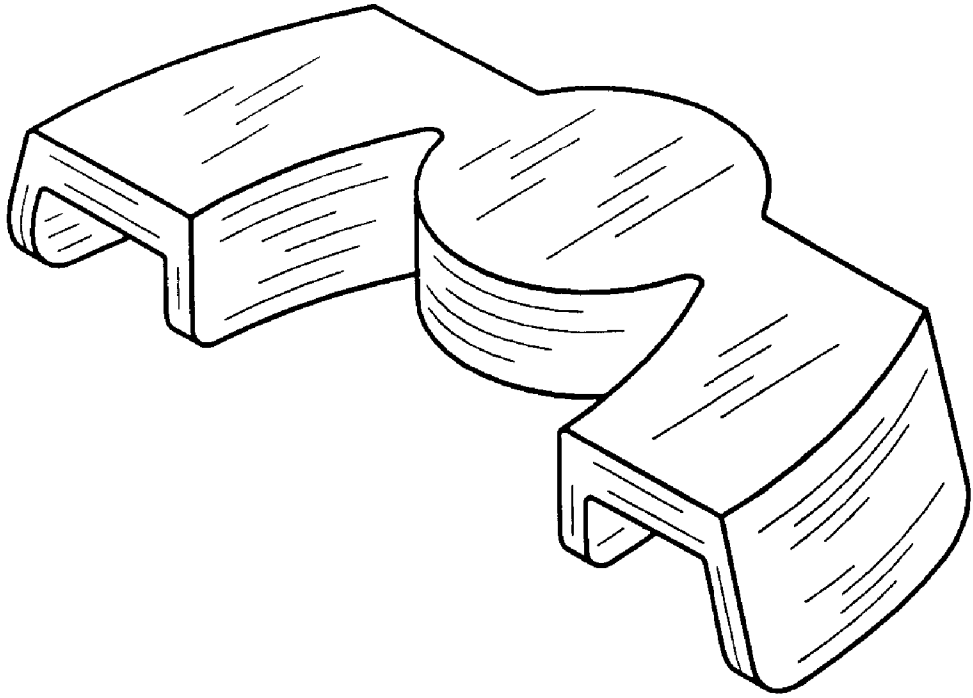


Fig. 1

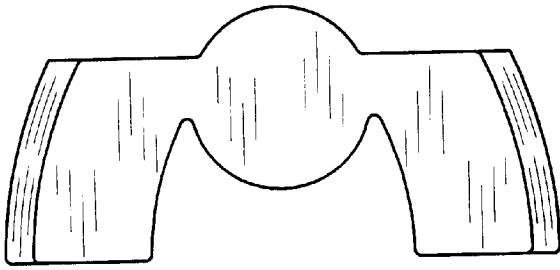


Fig. 2



Fig. 3



Fig. 6

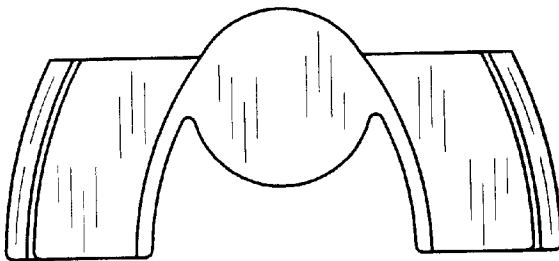


Fig. 4

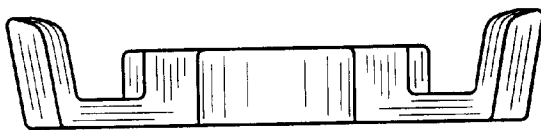


Fig. 5