



US00D568066S

(12) **United States Design Patent**
Cohen

(10) **Patent No.:** **US D568,066 S**

(45) **Date of Patent:** **** May 6, 2008**

(54) **COOLER STAND**

(76) Inventor: **Warren Cohen**, 10981 Decatur Rd.,
Philadelphia, PA (US) 19154

(**) Term: **14 Years**

(21) Appl. No.: **29/266,302**

(22) Filed: **Sep. 19, 2006**

(51) **LOC (8) Cl.** **06-04**

(52) **U.S. Cl.** **D6/475**

(58) **Field of Classification Search** **D6/475,**
D6/466, 449, 450, 476, 396, 462, 467; D19/75,
D19/86, 88-92; 211/49.1, 50; D9/432, 433;
248/174

See application file for complete search history.

(56) **References Cited**

U.S. PATENT DOCUMENTS

| | | | | | | |
|-----------|---|---|---------|------------------|-------|---------|
| 3,578,278 | A | * | 5/1971 | Pickering et al. | | 248/550 |
| D248,707 | S | * | 8/1978 | Gitlitz | | D3/266 |
| D274,729 | S | * | 7/1984 | Hovey et al. | | D14/451 |
| D293,635 | S | * | 1/1988 | Goetz | | D6/449 |
| D302,922 | S | * | 8/1989 | Carlson | | D7/605 |
| D335,404 | S | * | 5/1993 | Fleury | | D6/466 |
| D380,112 | S | * | 6/1997 | Peters | | D6/510 |
| D448,625 | S | * | 10/2001 | Moffett et al. | | D7/605 |

| | | | | | | |
|-----------|----|---|---------|------------|-------|---------|
| D479,062 | S | * | 9/2003 | Meyer | | D6/475 |
| 6,814,333 | B1 | * | 11/2004 | Freiburger | | 248/150 |
| D541,555 | S | * | 5/2007 | Falland | | D6/462 |

OTHER PUBLICATIONS

<http://dogbytecomputer.com/product>, Dec. 7, 2007.*

* cited by examiner

Primary Examiner—Robert M. Spear

Assistant Examiner—Katrina A Kile

(74) *Attorney, Agent, or Firm*—LaMorte & Associates

(57) **CLAIM**

The ornamental design for a cooler stand, as shown and described.

DESCRIPTION

FIG. 1 is a perspective view of a cooler stand;

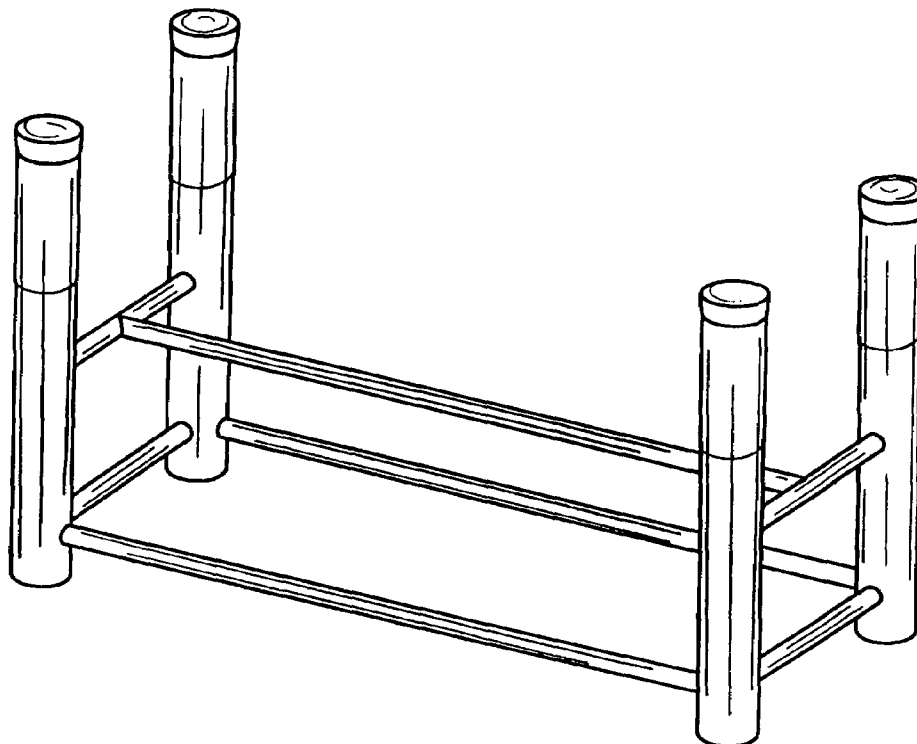
FIG. 2 is a top view thereof;

FIG. 3 is a bottom view thereof;

FIG. 4 is a front view thereof, the rear view being the same; and,

FIG. 5 is a right side view thereof; the left said view being the same.

1 Claim, 5 Drawing Sheets



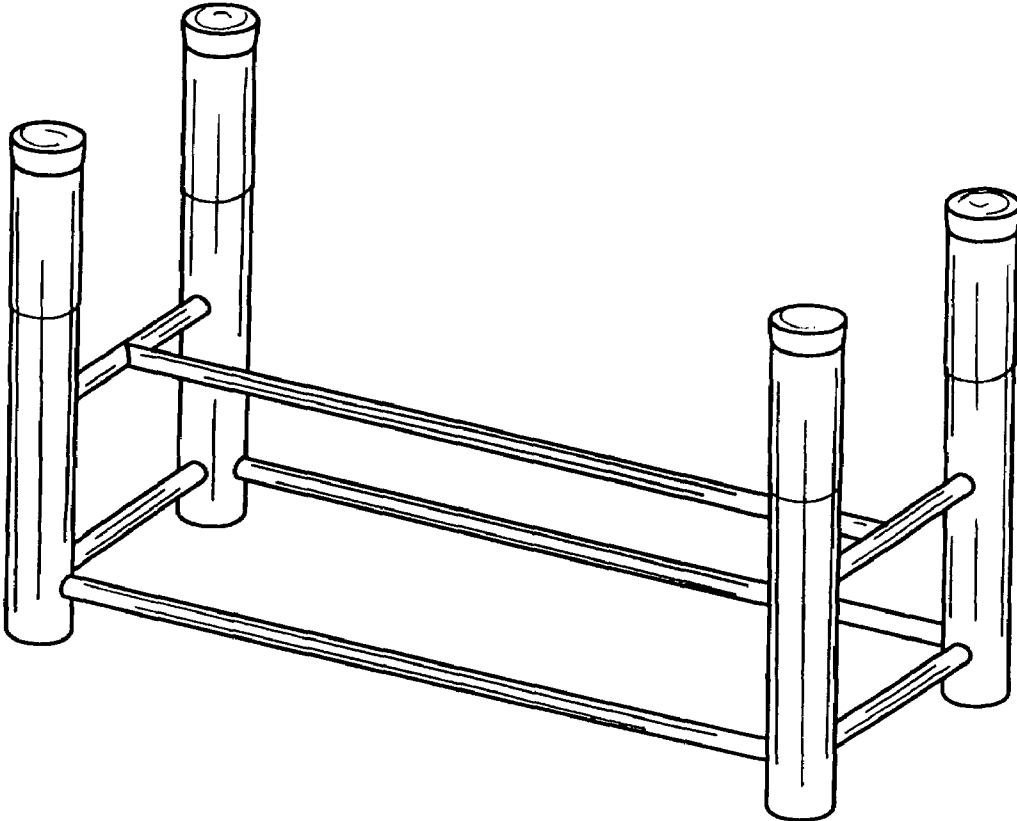


FIG. 1

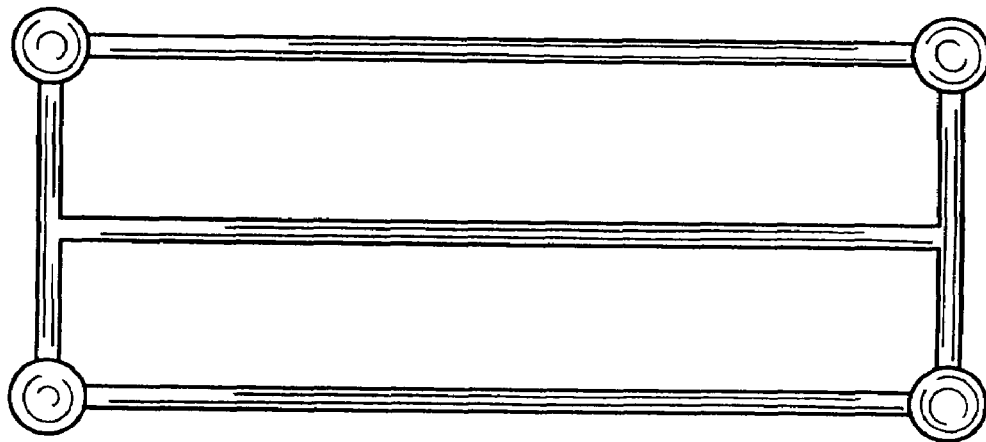


FIG. 2

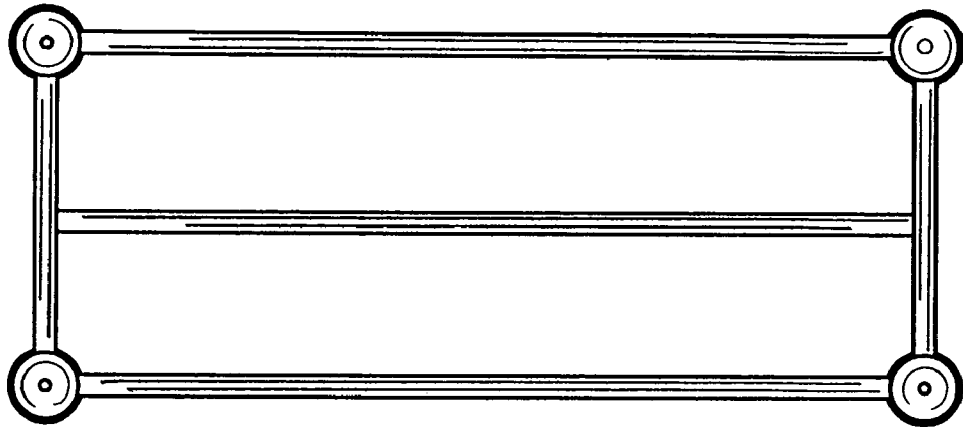


FIG. 3



FIG. 4

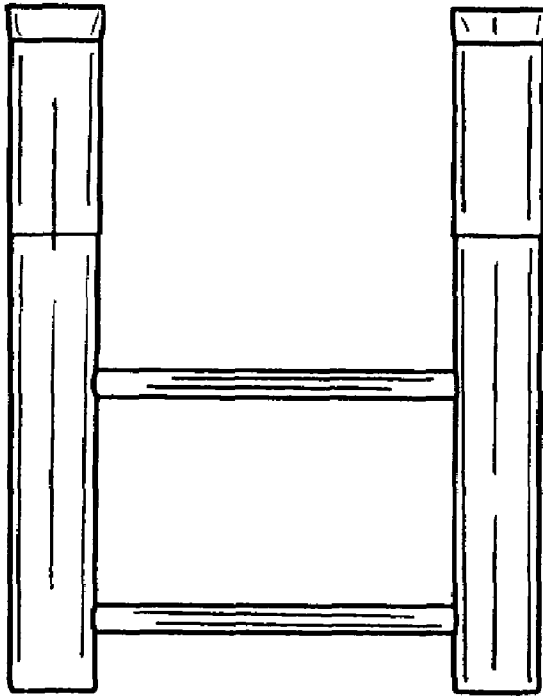


FIG. 5