



US00D593237S

(12) **United States Design Patent**
Chernick et al.

(10) **Patent No.:** **US D593,237 S**

(45) **Date of Patent:** **** May 26, 2009**

(54) **ILLUMINATED SPINNING GLOBE AND FAN**

6,589,094 B2 *	7/2003	Spencer	446/242
D504,706 S *	5/2005	Bennett	D21/398
D511,017 S *	10/2005	Chang	D26/51
D560,790 S *	1/2008	Chernick et al.	D23/379

(76) Inventors: **Mark J. Chernick**, 19180 144th Ave.,
NE., Woodinville, WA (US) 98072;
Webb T. Nelson, 19180 144th Ave., NE.,
Woodinville, WA (US) 98072

* cited by examiner

(**) Term: **14 Years**

Primary Examiner—Ian Simmons
Assistant Examiner—Dana L Sipos
(74) *Attorney, Agent, or Firm*—LaMorte & Associates

(21) Appl. No.: **29/302,078**

(57) **CLAIM**

(22) Filed: **Jan. 10, 2008**

The ornamental design for an illuminated spinning globe and fan, as shown and described.

(51) **LOC (9) Cl.** **26-02**

(52) **U.S. Cl.** **D26/37; D26/51; D26/59**

(58) **Field of Classification Search** D26/24,
D26/37–38, 40, 50–51, 59; 362/194–195,
362/202, 205; D21/455; 458/468; D23/370,
D23/379

DESCRIPTION

See application file for complete search history.

FIG. 1 is a front view of an illuminated spinning globe and fan;

FIG. 2 is a left side view thereof;

FIG. 3 is a right side view thereof;

FIG. 4 is a rear view thereof;

FIG. 5 is a top view thereof; and,

FIG. 6 is a bottom thereof.

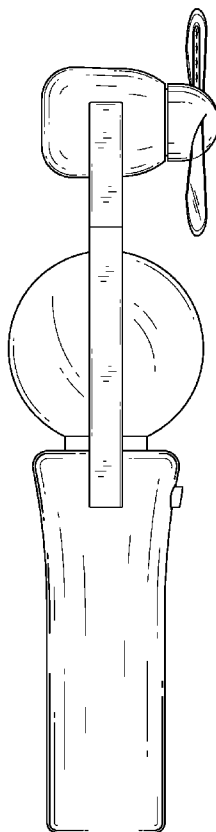
The broken dot-dash line in FIG. 6 defines the bounds of the claim and forms no part thereof.

(56) **References Cited**

U.S. PATENT DOCUMENTS

32,272 A *	5/1861	Benton	446/42
1,504,003 A *	8/1924	Trumbull	416/5
D314,617 S *	2/1991	Yuen	D23/370
D322,844 S *	12/1991	Leon, Jr.	D23/382
5,851,106 A *	12/1998	Steiner et al.	416/63
D451,994 S *	12/2001	Yuen	D23/379

1 Claim, 3 Drawing Sheets



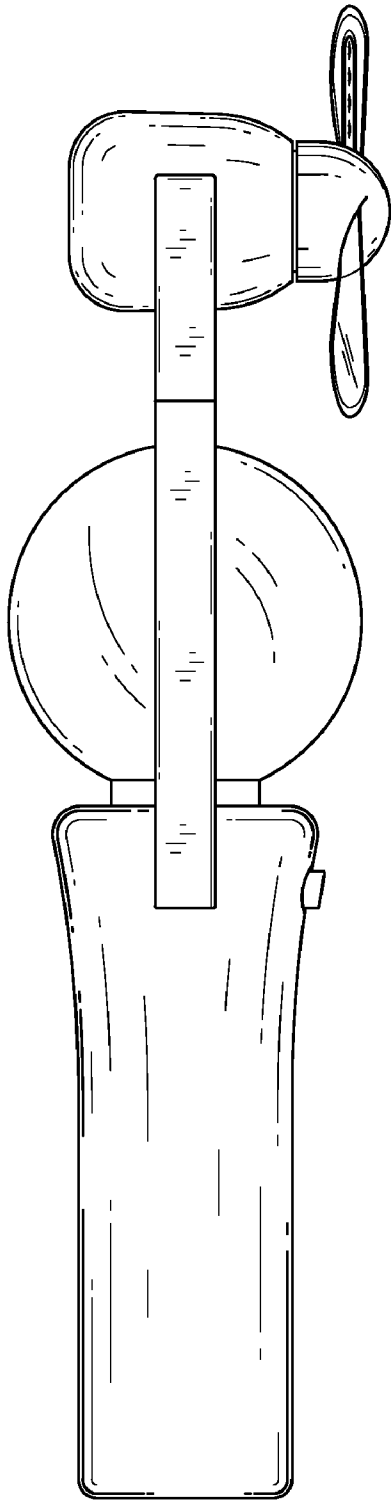


Fig. 2

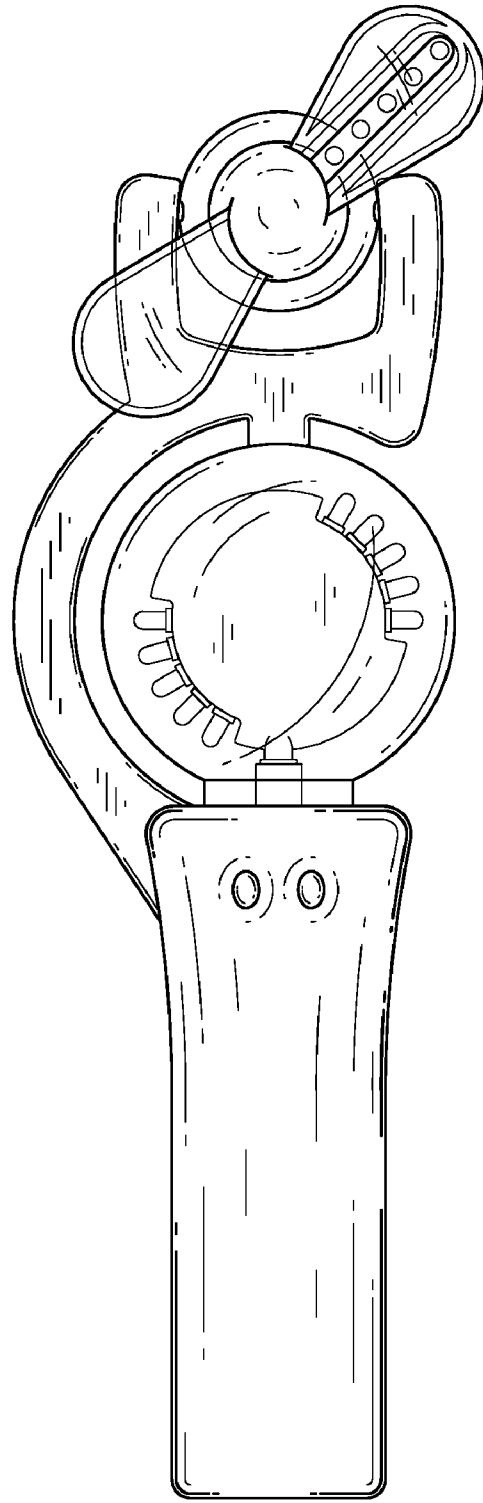


Fig. 1

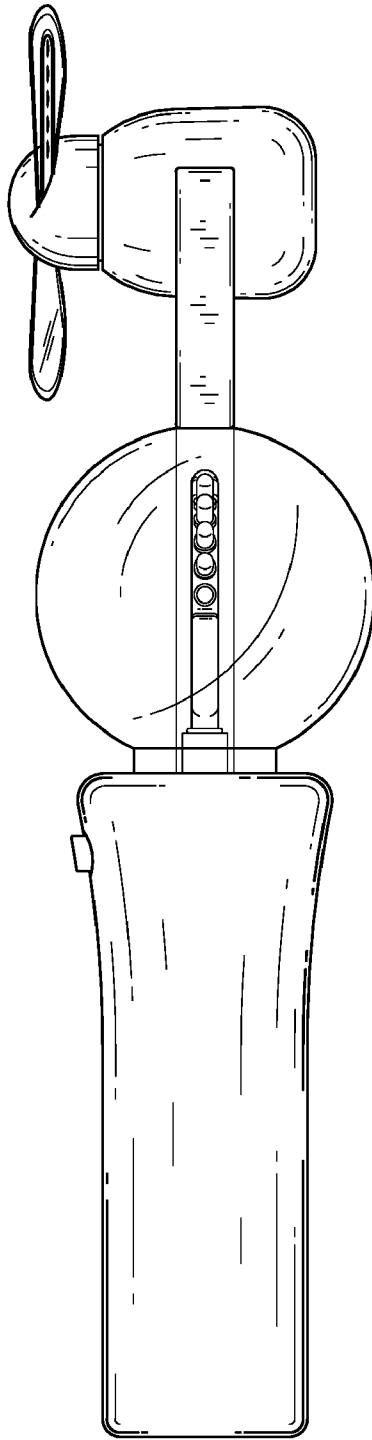


Fig. 3

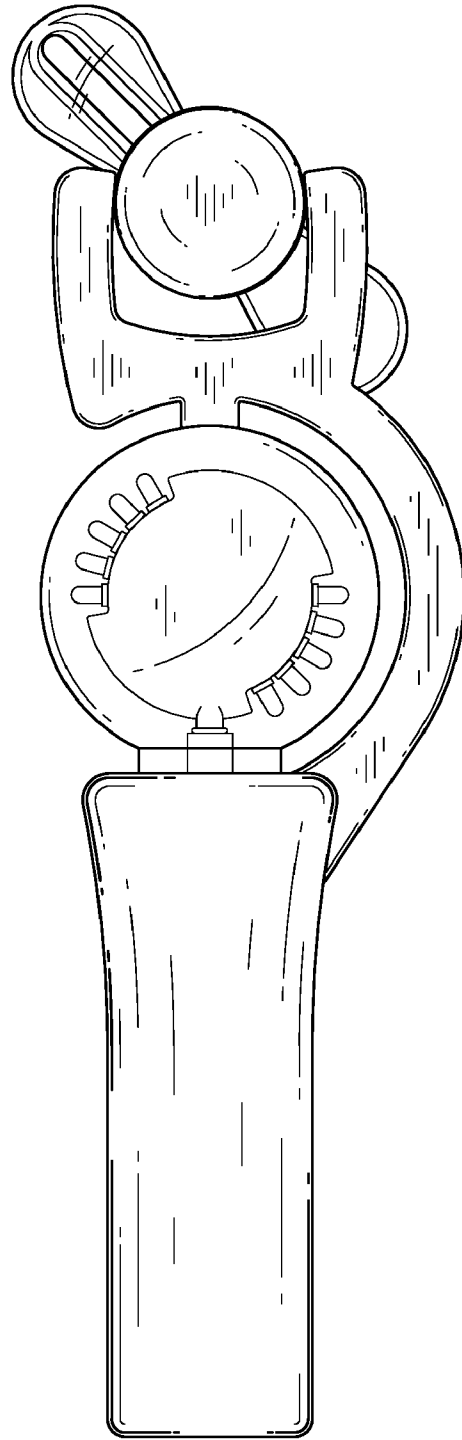


Fig. 4

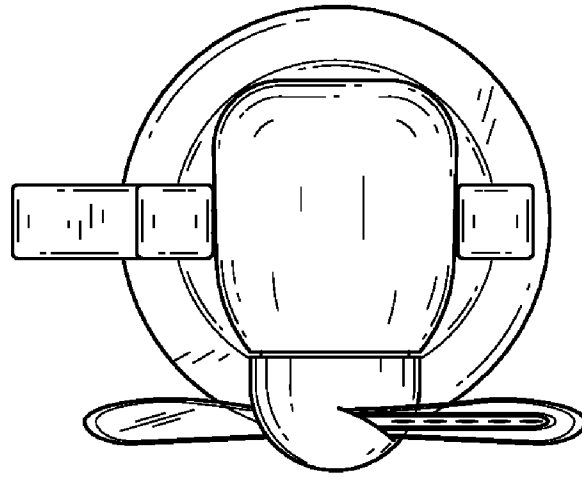


Fig. 5

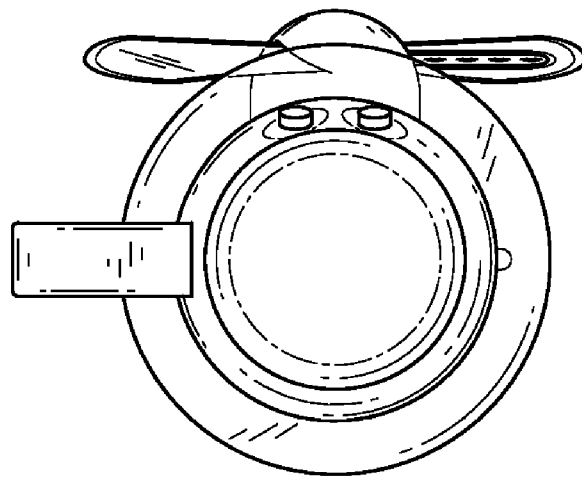


Fig. 6